

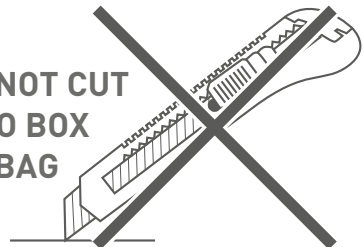
INSTRUCTION BOOKLET

LIGHTBOX SINGLE SIDED

PLEASE READ ALL INSTRUCTIONS
CAREFULLY BEFORE OPENING BOX



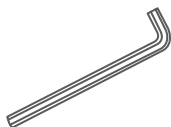
DO NOT CUT
INTO BOX
OR BAG



ACCESSORIES LIST

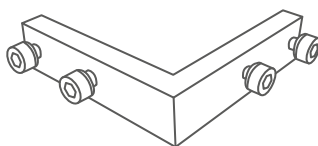
ALLEN KEY - 5mm

*INCLUDED



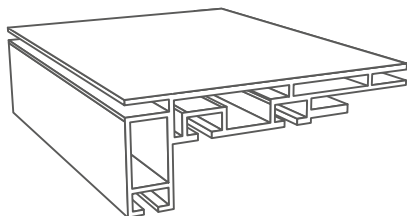
ELBOW JOINER

code RX-203



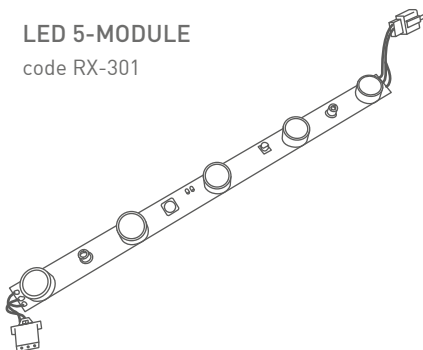
SINGLE SIDED LIGHTBOX EXTRUSION

code RX-108



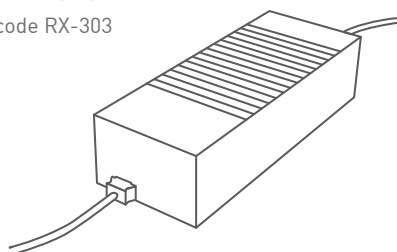
LED 5-MODULE

code RX-301

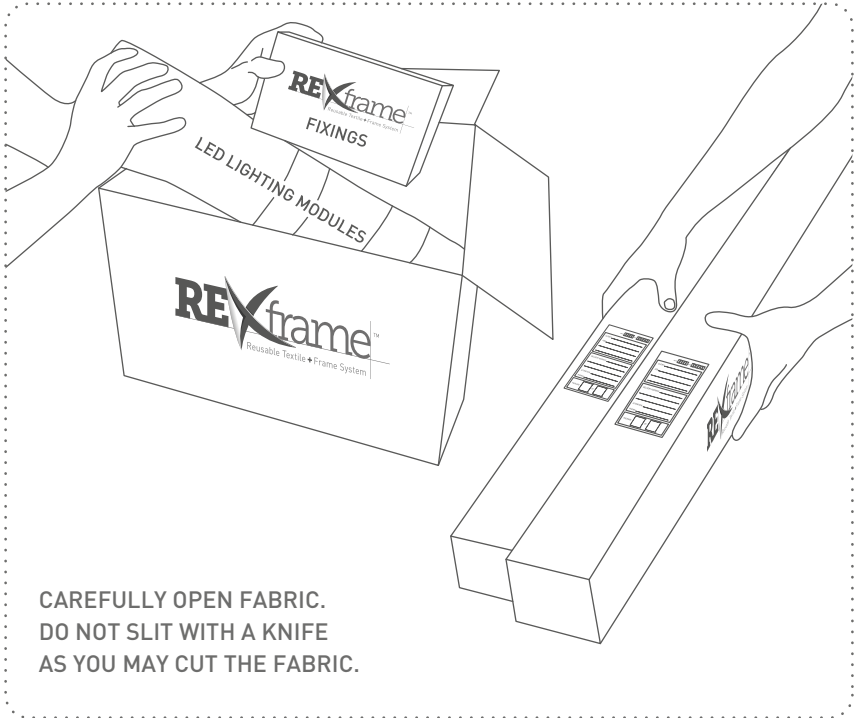


TRANSFORMER

code RX-303

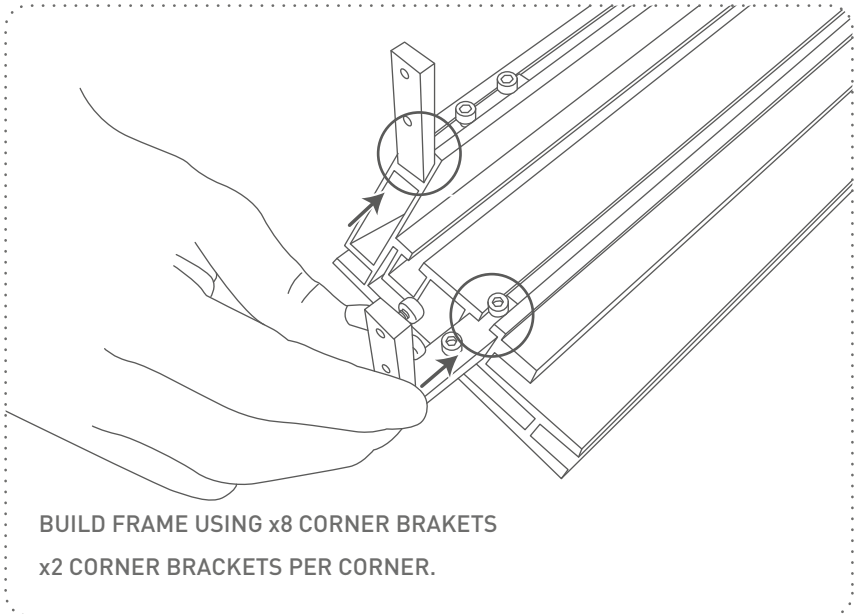


1



CAREFULLY OPEN FABRIC.
DO NOT SLIT WITH A KNIFE
AS YOU MAY CUT THE FABRIC.

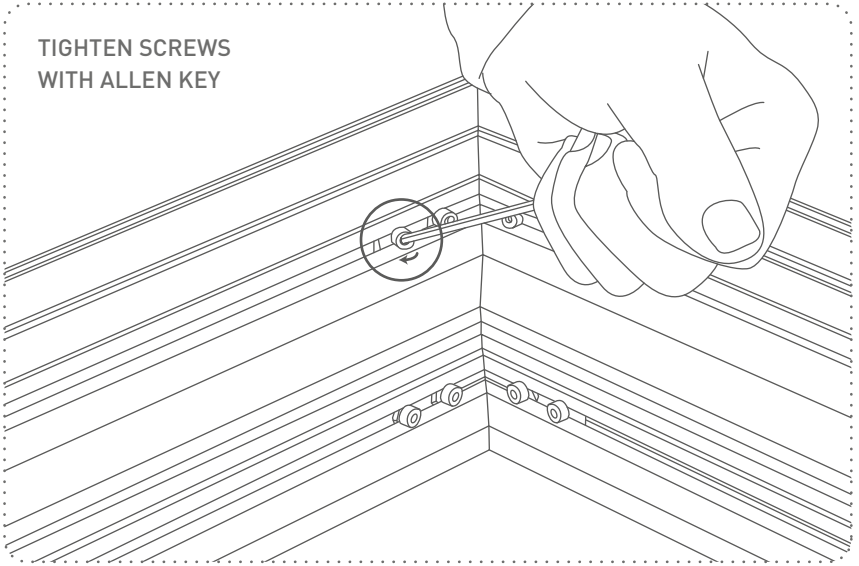
2



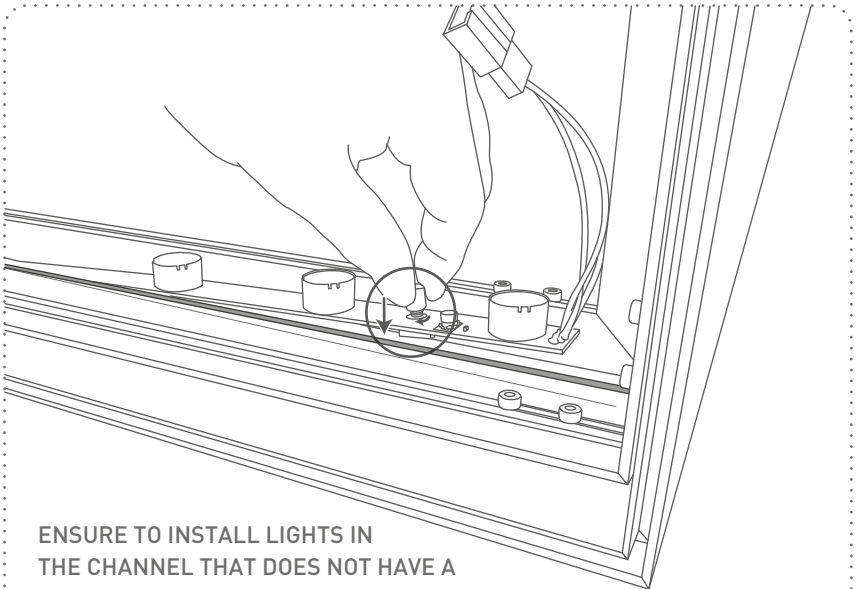
BUILD FRAME USING x8 CORNER BRACKETS
x2 CORNER BRACKETS PER CORNER.

3

TIGHTEN SCREWS
WITH ALLEN KEY



4

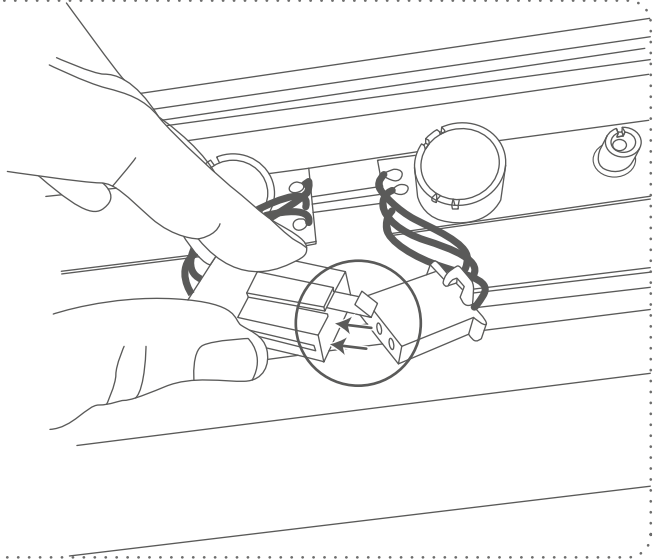


ENSURE TO INSTALL LIGHTS IN
THE CHANNEL THAT DOES NOT HAVE A
CORNER BRACKET- USE THE MIDDLE CHANNEL.

TIGHTEN LIGHTS IN POSITION USING YOUR HANDS BY TWISTING
THE T-NUT IN A CLOCKWISE DIRECTION

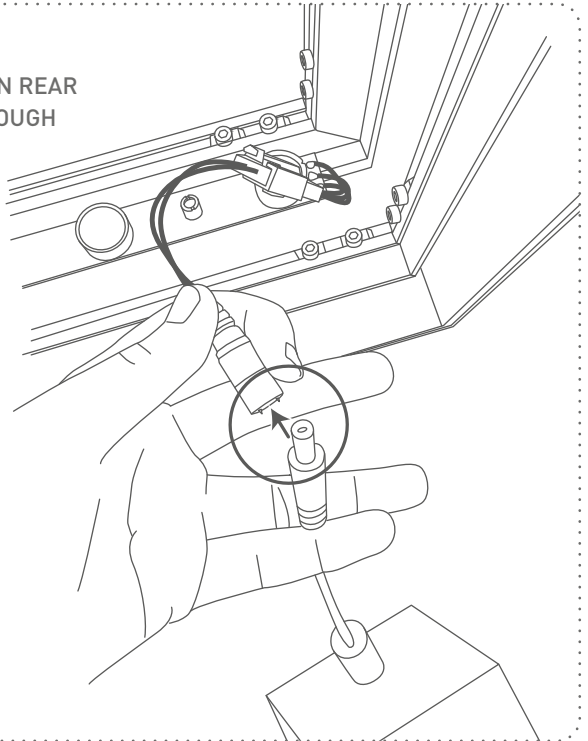
5

CONNECT THE
LED MODULES
TOGETHER



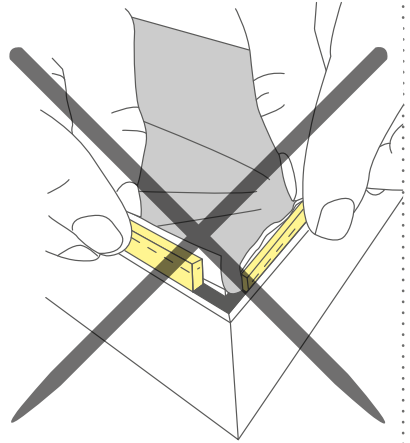
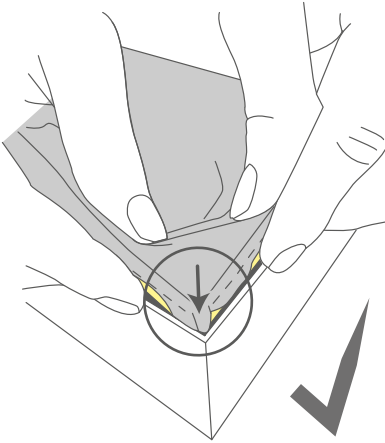
6

CUT SMALL HOLE IN
BLOCKOUT FABRIC ON REAR
AND FEED LEAD THROUGH
AND CONNECT TO
TRANSFORMER.



7

INSERT THE FABRIC INTO THE EXTRUSION STARTING WITH THE CORNERS ENSURE THE WELT IS CONCEALED

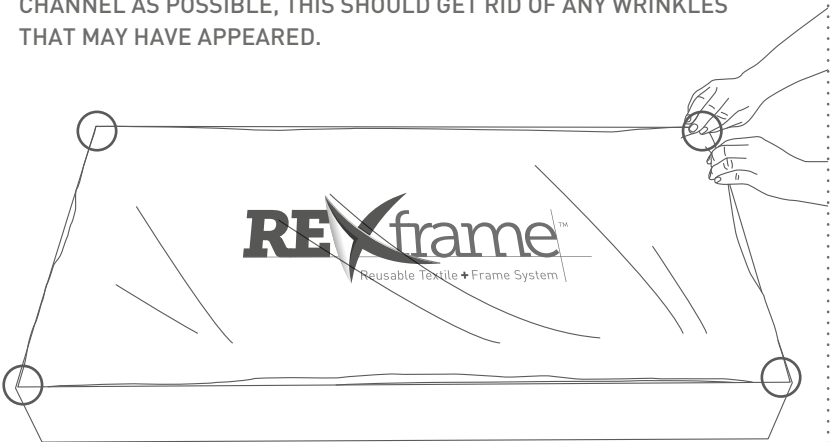


8

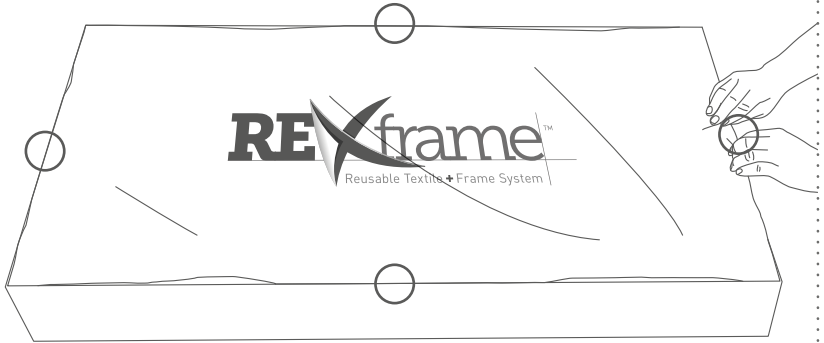
FOLLOW THE DIAGRAM BELOW FOR THE REMAINING WELT EDGE.

STARTING WITH ALL CORNERS

ENSURE WELT EDGE ON FABRIC IS PUSHED AS FAR INTO THE CHANNEL AS POSSIBLE, THIS SHOULD GET RID OF ANY WRINKLES THAT MAY HAVE APPEARED.

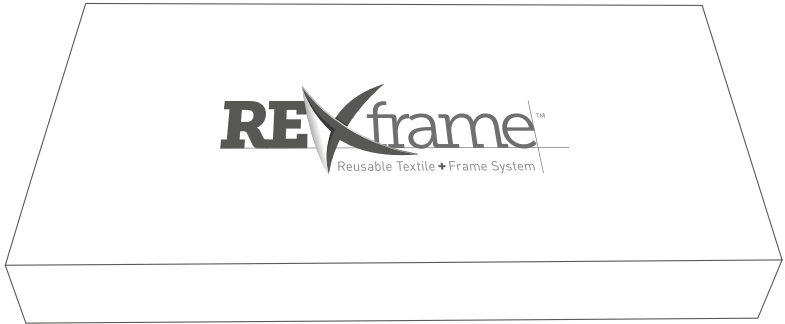


9



CONTINUE WITH THE MIDDLE OF EACH LENGTH,
AND THEN THE REMAINDER OF THE FABRIC

10



CONTINUE UNTIL ALL THE FABRIC HAS BEEN FULLY INSERTED