

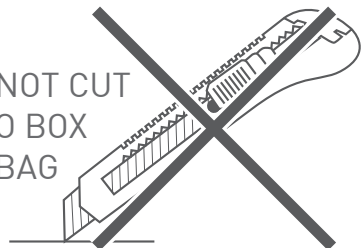
INSTRUCTION BOOKLET

SINGLE SIDED

PLEASE READ ALL INSTRUCTIONS
CAREFULLY BEFORE OPENING BOX



DO NOT CUT
INTO BOX
OR BAG

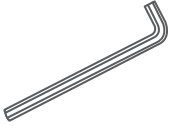


ACCESSORIES LIST

ALLEN KEY - 5mm

*INCLUDED

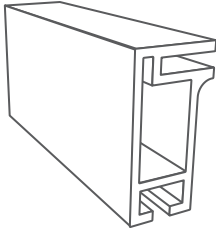
x1



SINGLE SIDED EXTRUSION

code RX-104

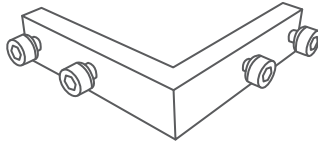
x4 LENGTHS



ELBOW JOINER

code RX-204

x4



1

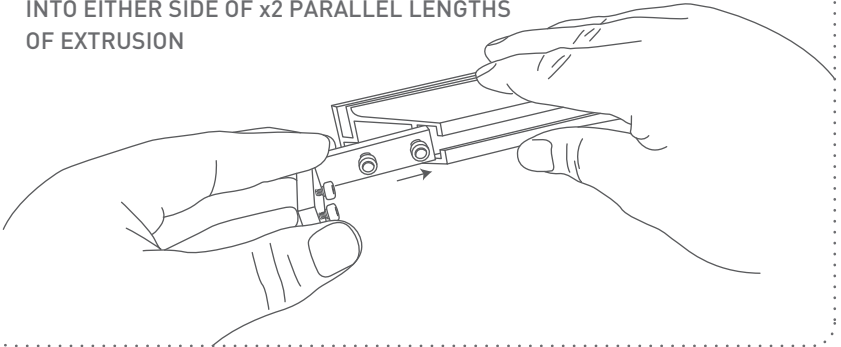
PULL YOUR REXframe™
FABRIC OUT OF THE BOX
& UNWRAP YOUR
REXframe™ EXTRUSION

CAREFUL NOT TO CUT
INTO THE BAGS OR THE BOX
AS YOU COULD DAMAGE
THE FABRIC



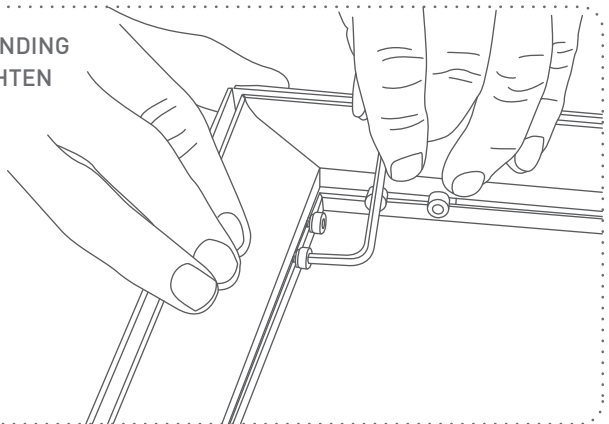
2

INSERT THE x4 ELBOW JOINERS (SHOWN BELOW)
INTO EITHER SIDE OF x2 PARALLEL LENGTHS
OF EXTRUSION



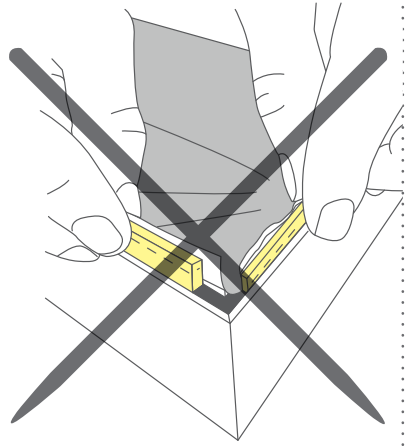
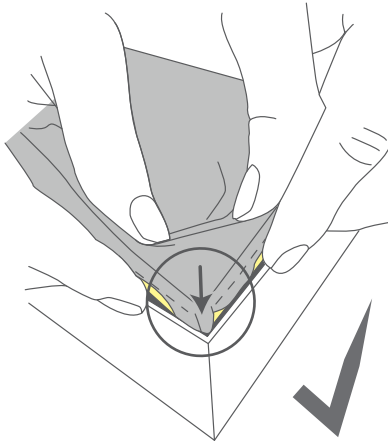
3

INSERT THE REMAINING
CORNERS AND TIGHTEN
THE SCREWS



4

INSERT THE FABRIC INTO THE EXTRUSION STARTING WITH THE CORNERS ENSURE THE WELT IS CONCEALED



5

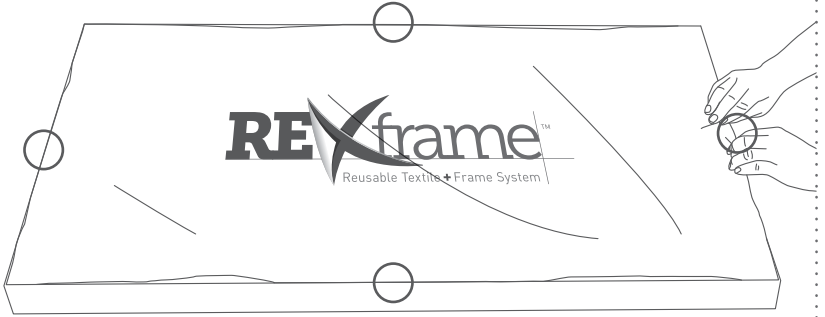
FOLLOW THE DIAGRAM BELOW FOR THE REMAINING WELT EDGE.

STARTING WITH ALL CORNERS

ENSURE WELT EDGE ON FABRIC IS PUSHED AS FAR INTO THE CHANNEL AS POSSIBLE, THIS SHOULD GET RID OF ANY WRINKLES THAT MAY HAVE APPEARED.

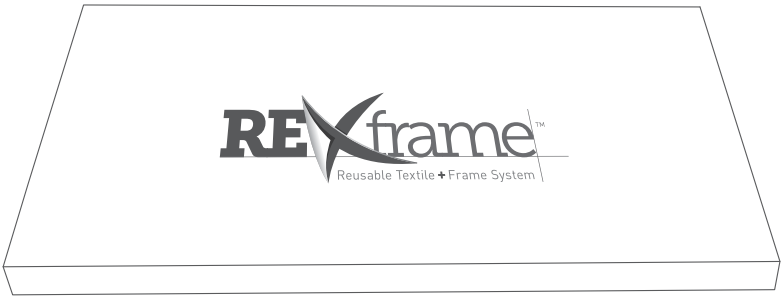


6



CONTINUE WITH THE MIDDLE OF EACH LENGTH,
AND THEN THE REMAINDER OF THE FABRIC

7



CONTINUE UNTIL ALL THE FABRIC HAS BEEN FULLY INSERTED