

# **INSTRUCTION BOOKLET**

---

**SINGLE SIDED  
FRAME FIXED  
TO WALL**

---

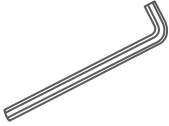
**PLEASE READ ALL INSTRUCTIONS  
CAREFULLY BEFORE OPENING BOX**

## WHAT YOU NEED

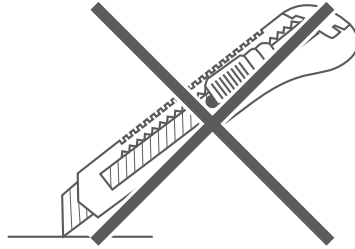
ALLEN KEY - 5mm

\*INCLUDED

x1



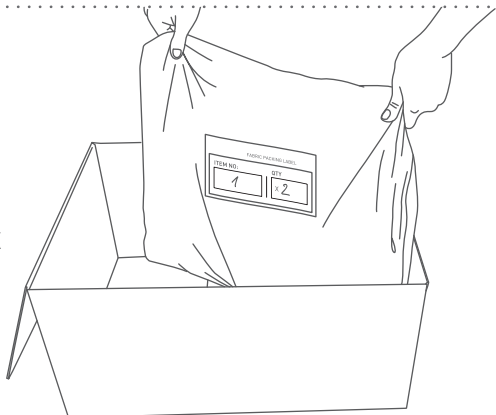
**DO NOT CUT INTO BOX  
OR BAG**



# 1

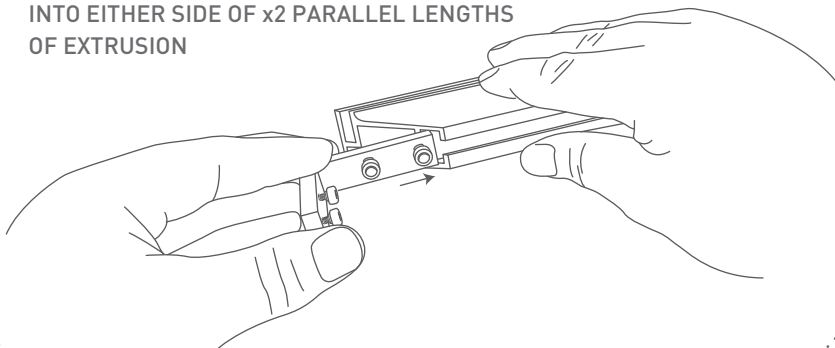
PULL YOUR  
FABRIC OUT OF THE BOX  
& UNWRAP YOUR  
EXTRUSION

CAREFUL NOT TO CUT  
INTO THE BAGS OR THE BOX  
AS YOU COULD DAMAGE  
THE FABRIC



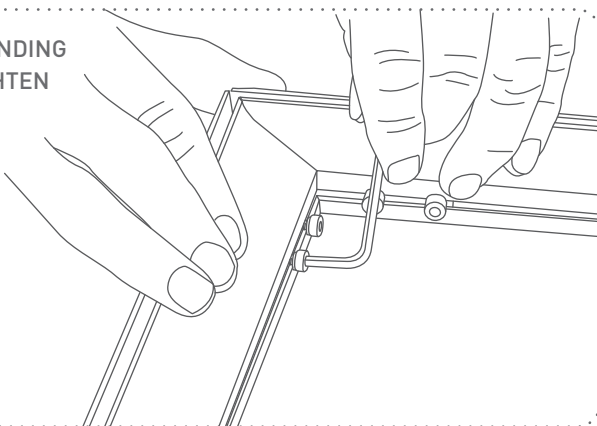
# 2

INSERT THE x4 ELBOW JOINERS (SHOWN BELOW)  
INTO EITHER SIDE OF x2 PARALLEL LENGTHS  
OF EXTRUSION

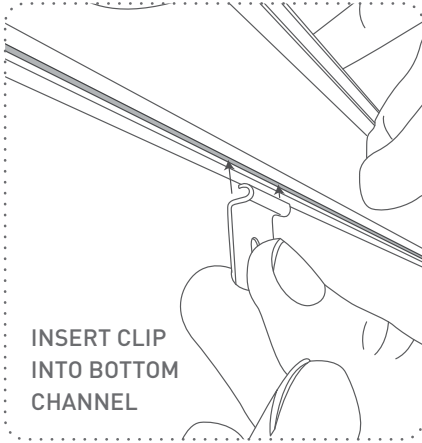


# 3

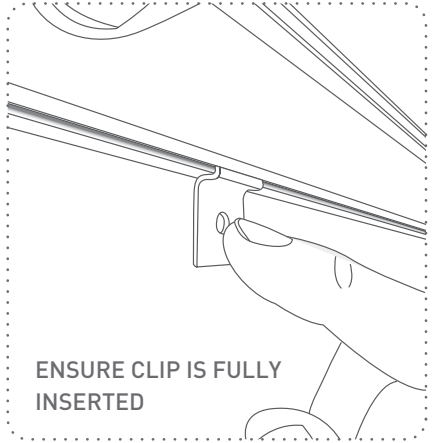
INSERT THE REMAINING  
CORNERS AND TIGHTEN  
THE SCREWS



**4**

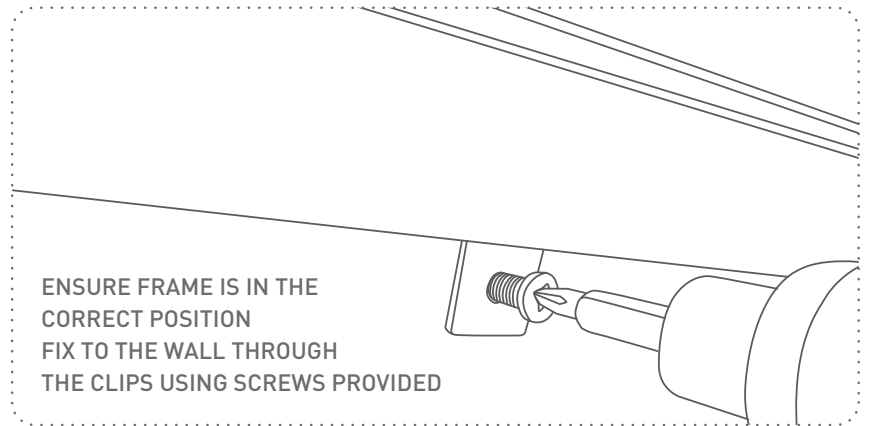


INSERT CLIP  
INTO BOTTOM  
CHANNEL



ENSURE CLIP IS FULLY  
INSERTED

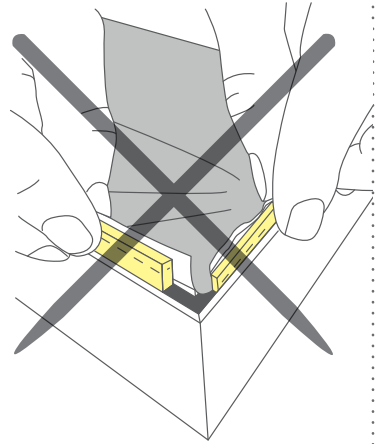
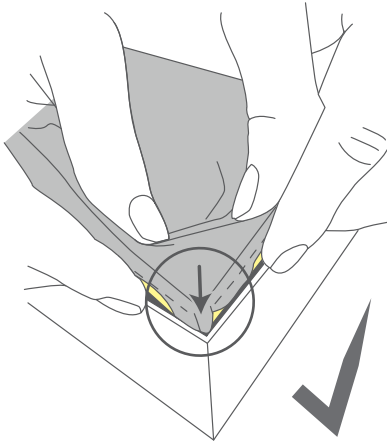
**5**



ENSURE FRAME IS IN THE  
CORRECT POSITION  
FIX TO THE WALL THROUGH  
THE CLIPS USING SCREWS PROVIDED

# 6

INSERT THE FABRIC INTO THE EXTRUSION STARTING WITH THE CORNERS ENSURE THE WELT IS CONCEALED

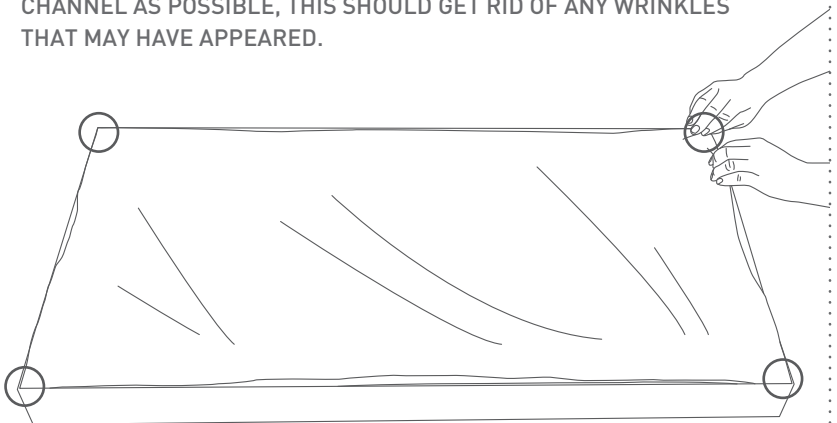


# 7

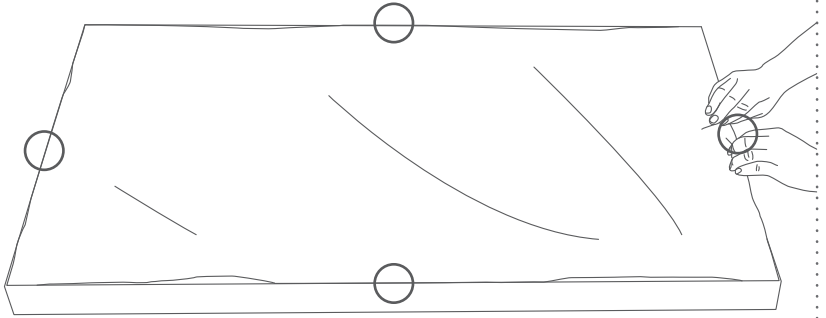
FOLLOW THE DIAGRAM BELOW FOR THE REMAINING WELT EDGE.

STARTING WITH ALL CORNERS

ENSURE WELT EDGE ON FABRIC IS PUSHED AS FAR INTO THE CHANNEL AS POSSIBLE, THIS SHOULD GET RID OF ANY WRINKLES THAT MAY HAVE APPEARED.

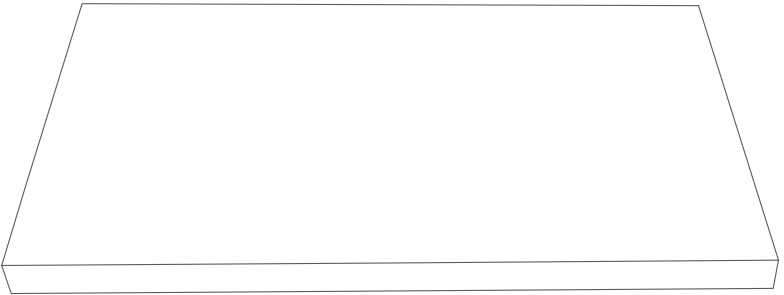


8



CONTINUE WITH THE MIDDLE OF EACH LENGTH,  
AND THEN THE REMAINDER OF THE FABRIC

9



CONTINUE UNTIL ALL THE FABRIC HAS BEEN FULLY INSERTED